

MhouseKit WG2

The strong solution for swing gates



Kit for automation of a residential two-leaf gate, each leaf measuring up to 2m in width and weighing up to 250kg

Easy installation with the Mhouse

ECSBus system: only two wires are required for polarity free connection of the main system components. The colour-coded terminals, each of which identifies a set, enable quick, error-proof connections. The aerial is integrated in the flashing light for greater protection.

Strength and elegance: WG2, with its die-cast aluminium casing that will match any style, can open the heaviest gates without effort

No welding required adjustable multi-position brackets

No waiting in front of the gate: only 15 seconds to open and close (in perfect installation conditions, making the most of the whole run and with a 90° opening)

“Plug 'n Play” connections very simple and quick, with easy identification of wires and terminals

Extra safe thanks to the low-voltage connections (24V), the safety accessories and the automatic obstacle detection feature

Auto-programming: WG2 automatically calculates the most suitable operating parameters for each gate

Autodiagnostic system identifies and immediately signals any connection errors or malfunctions

Modular control card with integrated receiver

- 2 speeds
- Timed and adjustable automatic closing function
- Programming of new transmitters (up to 150)
- Adjustable partial opening function
- Pause time adjustment
- Obstacle sensitivity adjustment
- Automatic recognition of NC-NO-8.2K safety devices, if installed

Quick motor release for manual gate operation

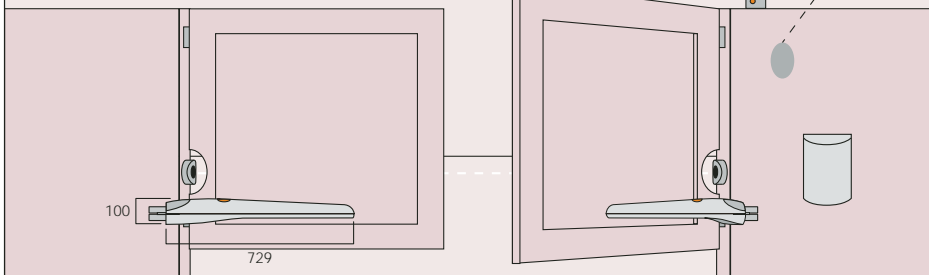
No black-out: the buffer batteries guarantee up to ten opening and closing manoeuvres even in the event of power outages (accessory)



mhouse
4

Mhouse
Via Pezza Alta 13
31046 Oderzo TV Italia
Tel. +39 0422 202 109
Fax +39 0422 853 585
info@mhouse.biz
www.mhouse.com

Installation



1 Mount the brackets on the gate, observing the dimensions shown in the instructions

2 Secure the motors to the gate

3 Install and connect all the system elements

4 Connect the wires with the terminals to the control unit and start the automatic programming function

5 The system is ready to receive your commands!



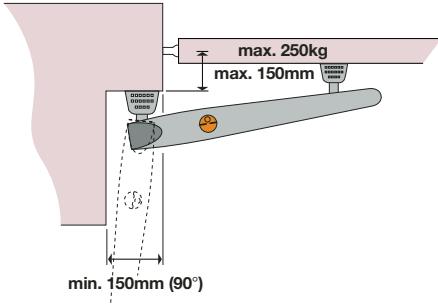
Connections

The gauges of the required power cables are specified on the technical literature (the length varies according to the installation layout)

Operating limits

Max weight of leaf (kg)	250
Max length of leaf (m)	2
Max leaf opening angle	130°
Max no. of manoeuvres/day	50*
Operating temperature (°C)	-20 ÷ +50

*opening + closing



Each Kit WG2 contains:

2 WG1 Electromechanical worm gear motor with three Mhouse release keys and adjustable mounting brackets included



2 TX4 433.92MHz 4 buttons variable code transmitters



1 PH1 Pair of wall-mounted autosynchronized photocells



1 KS1 Two-position (open/stop) key-operated selector switch with pair of metal keys



1 FL1 Adjustable flashing light with incorporated aerial



1 CL2 External control unit for control of two WG1 series electromechanical gear motors with integrated 433.92MHz variable code receiver



Accessories:

DS1 13-key digital switch with programmable code, via radio



EL1 12V electric lock interface



PT50 Two posts of 485mm high complete with a pair of premounted photocells
PT100 Two posts of 945mm high complete with two pairs of premounted photocells



PR1 24V buffer battery for emergency power supply

